

29 Belar Street,  
Yamanto Q. 4305

Phone: 3812 9941  
Fax: 3812 1330

Web: [www.a1heritagewindowsanddoors.com.au](http://www.a1heritagewindowsanddoors.com.au)  
Email: [sales@a1heritagewindowsanddoors.com.au](mailto:sales@a1heritagewindowsanddoors.com.au)



# HERITAGE WINDOWS AND DOORS

ACN: 097 899 360 **Pty. Ltd.** ABN: 15097 899 360

- Australian Made
- High Quality Hardware
- Custom Timber Joinery and much, much more!

## PIVOT ENTRY DOORS

Pivot Entry Doors (JMA Hydraulic door closer)

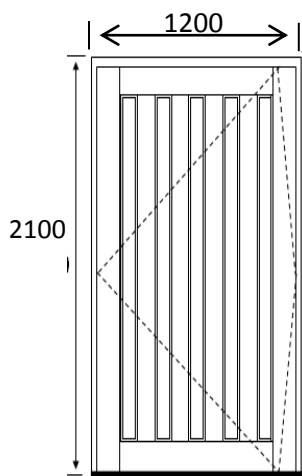
Door made from Cedar or Fiji Mahogany (**Which ever available at time of order**)

Paint grade frame (**140**)

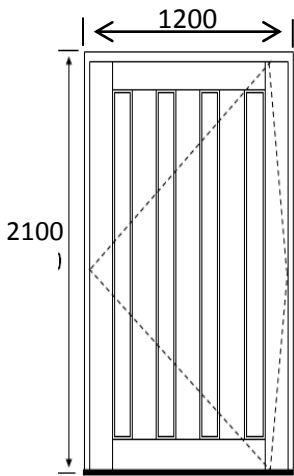
Clear laminate glass

Stain Grade

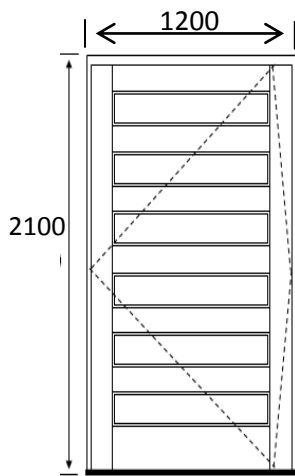
RP 30 & RP 82 door seals on bottom



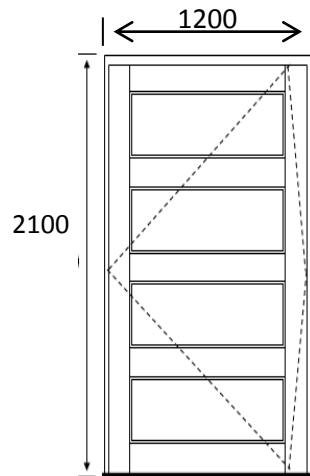
5 LITE VERTICAL  
\$1'824.00 + G.S.T



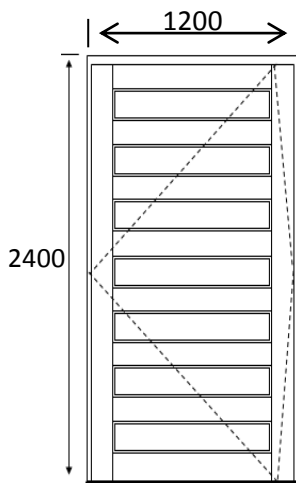
4 LITE VERTICAL  
\$1'824.00 + G.S.T



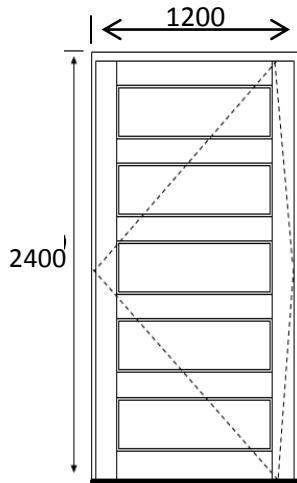
6 LITE HORIZONTAL  
\$1'824.00 + G.S.T



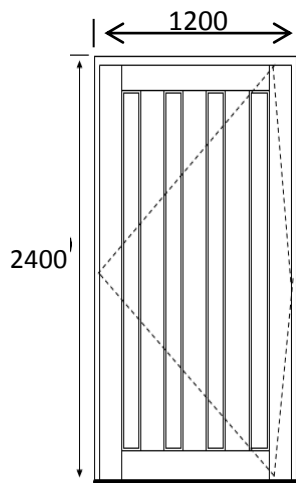
4 LITE HORIZONTAL  
\$1'824.00 + G.S.T



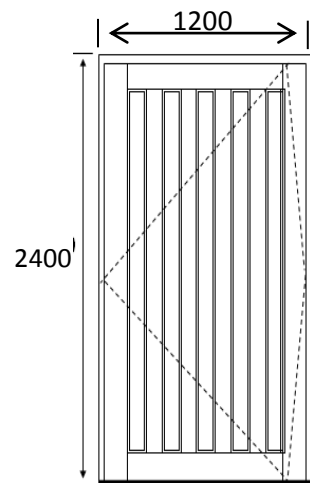
7 LITE HORIZONTAL  
\$1'889.00 + G.S.T



5 LITE HORIZONTAL  
\$1'889.00 + G.S.T



4 LITE VERTICAL  
\$1'889.00 + G.S.T



5 LITE VERTICAL  
\$1'889.00 + G.S.T

29 Belar Street,  
Yamanto Q. 4305

Phone: 3812 9941  
Fax: 3812 1330

Web: [www.a1heritagewindowsanddoors.com.au](http://www.a1heritagewindowsanddoors.com.au)  
Email: [sales@a1heritagewindowsanddoors.com.au](mailto:sales@a1heritagewindowsanddoors.com.au)



# HERITAGE WINDOWS AND DOORS

ACN: 097 899 360 **Pty. Ltd.** ABN: 15097 899 360

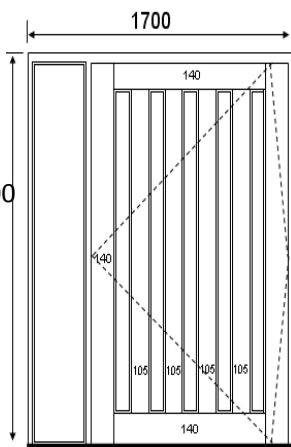
- Australian Made
- High Quality Hardware
- Custom Timber Joinery and much, much more!

## PIVOT ENTRY DOOR WITH SIDE LIGHTS

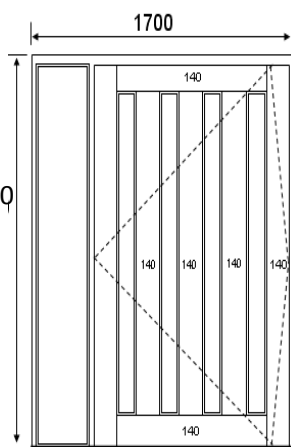
Pivot Entry Doors (JMA Hydraulic door closer)  
Door made from Cedar or Fiji Mahogany  
**(Whichever available at time of order)**  
1200 Wide door

Paint grade frame (140)  
Clear laminate glass  
Stain Grade  
RP 30 & RP 82 door seals on bottom

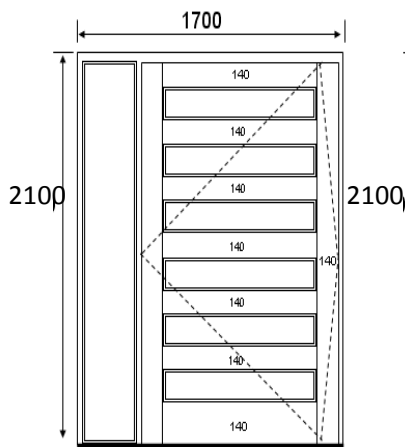
**SIDE LIGHTS ARE AVAILABLE TO BOTH SIDES IF REQUIRED**



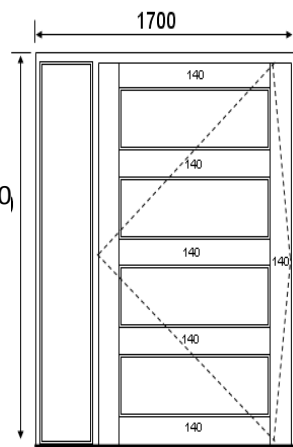
5 LITE VERTICAL  
\$2'174.00 + G.S.T



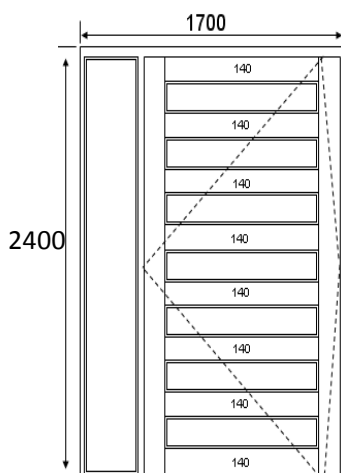
4 LITE VERTICAL  
\$2'174.00 + G.S.T



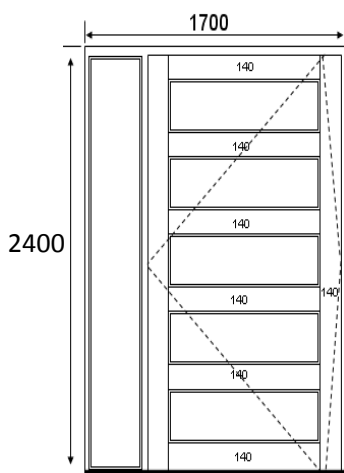
6 LITE HORIZONTAL  
\$2'174.00 + G.S.T



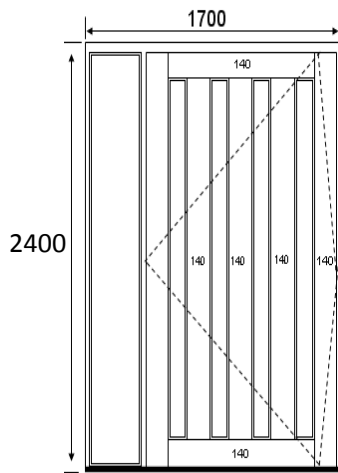
4 LITE HORIZONTAL  
\$2'174.00 + G.S.T



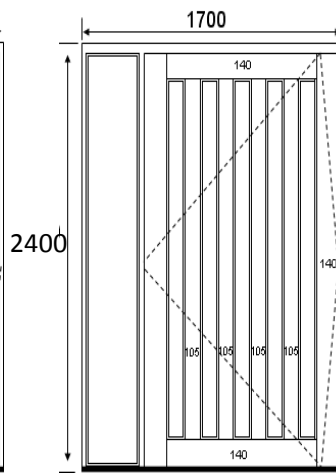
7 LITE HORIZONTAL  
\$2'230.00 + G.S.T



5 LITE HORIZONTAL  
\$2'230.00 + G.S.T



4 LITE VERTICAL  
\$2'230.00 + G.S.T



5 LITE VERTICAL  
\$2'230.00 + G.S.T

29 Belar Street,  
Yamanto Q. 4305

Phone: 3812 9941  
Fax: 3812 1330

Web: [www.a1heritagewindowsanddoors.com.au](http://www.a1heritagewindowsanddoors.com.au)  
Email: [sales@a1heritagewindowsanddoors.com.au](mailto:sales@a1heritagewindowsanddoors.com.au)



# HERITAGE WINDOWS AND DOORS

ACN: 097 899 360 **Pty. Ltd.** ABN: 15097 899 360

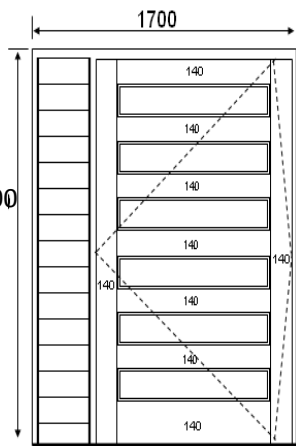
- Australian Made
- High Quality Hardware
- Custom Timber Joinery and much, much more!

## PIVOT ENTRY DOORS WITH LOUVER SIDE LIGHTS

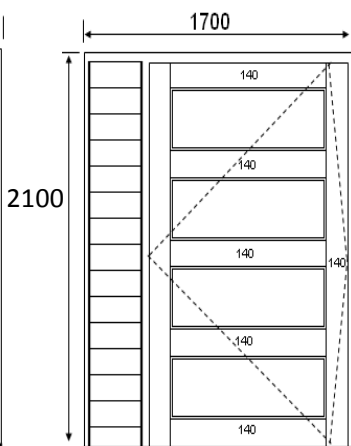
Pivot Entry Doors (JMA Hydraulic door closer)  
Door made from Cedar or Fiji Mahogany  
**(Which ever available at time of order)**  
1200 Wide door  
Paint grade frame (140)

Clear laminate glass  
152mm glass clear blades  
Non keyed galleries  
Stain Grade  
RP 30 & RP 82 door seals on bottom

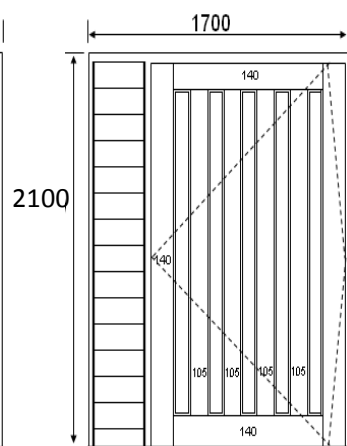
**SIDE LIGHTS ARE AVAILABLE TO BOTH SIDES IF REQUIRED**



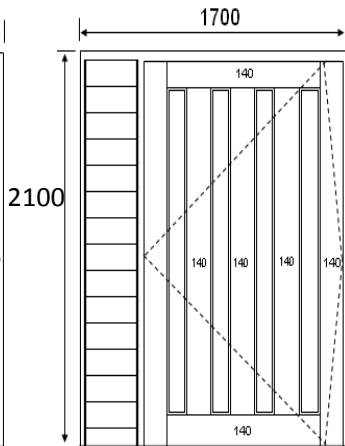
6 LITE HORIZONTAL  
\$2'445.00 + G.S.T



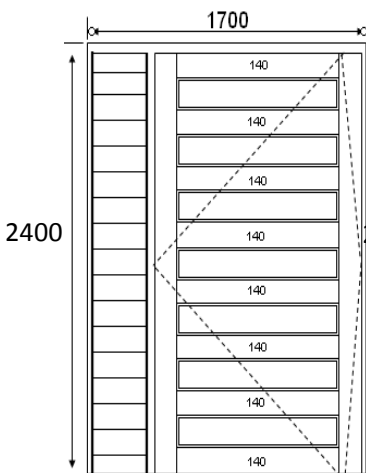
4 LITE HORIZONTAL  
\$2'445.00 + G.S.T



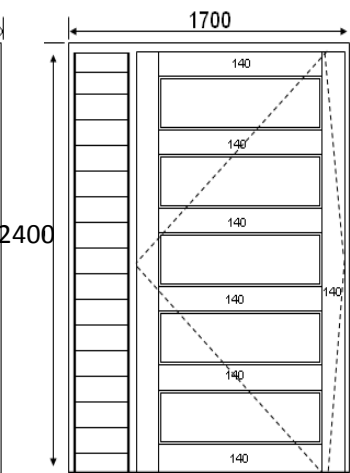
5 LITE VERTICAL  
\$2'445.00 + G.S.T



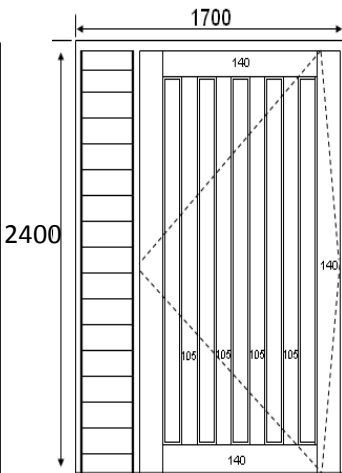
4 LITE VERTICAL  
\$2'445.00 + G.S.T



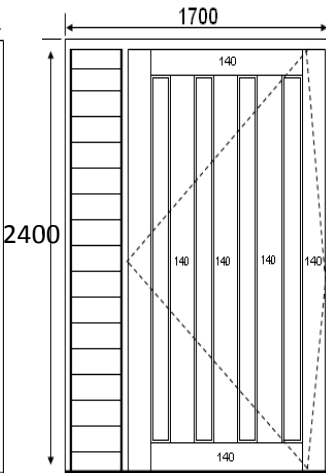
7 LITE HORIZONTAL  
\$2'548.00 + G.S.T



5 LITE HORIZONTAL  
\$2'548.00 + G.S.T



5 LITE VERTICAL  
\$2'548.00 + G.S.T



4 LITE VERTICAL  
\$2'548.00 + G.S.T